

Twice 2-wire

CENTRAL CONTROL



UP TO 200 STATIONS, WITH 100 DECODERS OR LESS

Unlike other two-wire systems, the Rain Master[®] 2-wire protocol provides a two-way communication link between the controller, decoders and valves. This provides the means for testing and diagnostic capabilities within the 2-wire system. The simplicity of the 2-wire field installation, coupled with the enhanced capability of the Rain Master Twice controllers, sets a new precedent for 2-wire control within the irrigation industry.

KEY FEATURES & BENEFITS

EVAPOTRANSPIRATION (ET) BASED SCHEDULING

Maximizes water saving and irrigation efficiency

FLOW SENSING AND CONTROL

Monitors system flow and responds to upper, lower, unscheduled and no flow conditions

2-WIRE INTERFACE MODULE

Provides 2-wire capability for any Irritrol Rain Master Eagle controller

DECODER TWO-WAY COMMUNICATION

Provides troubleshooting diagnostics to retain system integrity

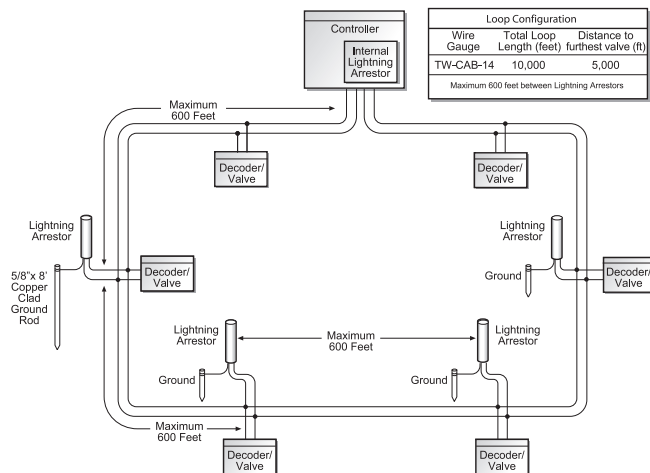
PROGRAMMABLE DECODERS

Provides flexibility in programming decoder identification

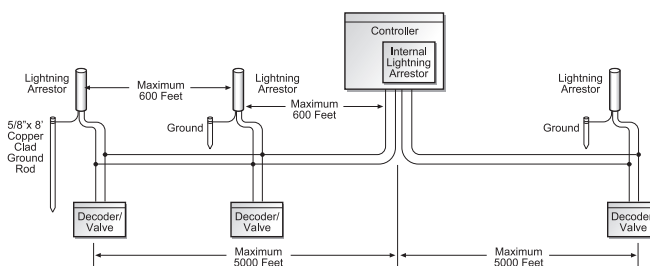
DECODER LEDS FOR EASY TROUBLE SHOOTING

AVAILABLE FOR DX2, EAGLE™ & EAGLE™ PLUS SYSTEMS

TWICE LOOP CONFIGURATION

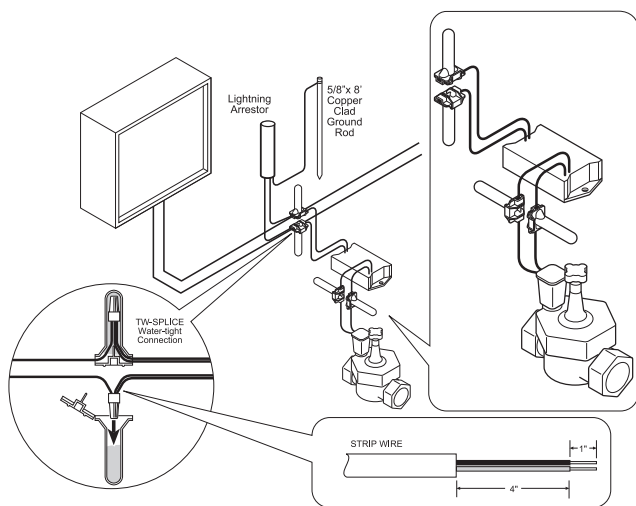


TWICE STRAIGHT LINE CONFIGURATION



Straight Line Configuration	
Wire Gauge	Total Wire Length (feet)
TW-CAB-14	5,000
Maximum 600 feet between Lightning Arrestors	

TWICE WIRE CONNECTION DETAIL



We reserve the right to improve our products and make changes in the specifications and designs without notice and without incurring obligation. Products depicted in this brochure are for demonstration purposes only. Actual products offered for sale may vary in design and features.

MODULES

- Easy-to-read LED status indication for every command
- LED also displays valve activation and diagnostic reporting
- Troubleshooting capabilities:
 - LED decoder "active" indication
 - LED valve power "on" indication
 - Two-way communication verification

DECODERS

- Each decoder has a unique address (programmable at the interface module)
- Decoders will automatically shut off if communication is lost
- Wire fault detection automatically shuts down any valve
- Valves can be operated up to 100' radius of the decoder

ELECTRICAL SPECIFICATIONS

- Input power: 105-130V ac, 50/60 Hz, 0.5 amp maximum, 1 amp idle
- Output power: 24V ac, 1.5 amps maximum total output or (36 VA) 1.0 amp per station or master valve
- UL, CUL, and FCC approved

SPECIFYING INFORMATION

Model

TW-DX48-PWM
TW-DX48-SWM
TW-DX48-SPED
TW-DX48-UFEN

Controller Description

DX2, up to 48 stations, painted wall mount
DX2, up to 48 stations, stainless wall mount
DX2, up to 48 stations, stainless steel security pedestal
DX2, up to 48 stations, stainless steel ultimate front entry enclosure

TW-EGi36*
TW-EGi36-SB*
TW-EGi36-SPED*

Eagle, up to 36 decoders, steel wall mount
Eagle, up to 36 decoders, stainless steel wall mount
Eagle, up to 36 decoders, 14 gauge stainless steel security pedestal

EGP-TWi*
EGP-TWi-S*
EGP-TWi-SPED*

Eagle Plus, up to 200 stations, painted wall mount
Eagle Plus, up to 200 stations, stainless steel pedestal
Eagle Plus, up to 200 stations, 14 gauge stainless steel security pedestal

EGP-TWi-PSB*

Eagle Plus, up to 200 stations, 14 gauge stainless steel security pedestal

* Remove "i" for standalone option

DIMENSIONS

- **TW model:** H: 10" W: 13" D: 4.5"
- **TW & SB model:** H: 17.5" W: 13" D: 4.5"
- **TW-SPED model:** H: 35" W: 16" D: 14"

OPTIONAL 2-WIRE DECODERS AND ACCESSORIES

Model

TW-D-1
TW-D-2
TW-D-4
TW-LA-1
TW-SPLICE
TW-CAB-14

Description

Single valve AC decoder
Dual valve AC decoder
Quad valve AC decoder
Lightning arrester (every 600 feet)
14-gauge water-tight connectors
14-gauge (red/black) Polycoated (blue) wire